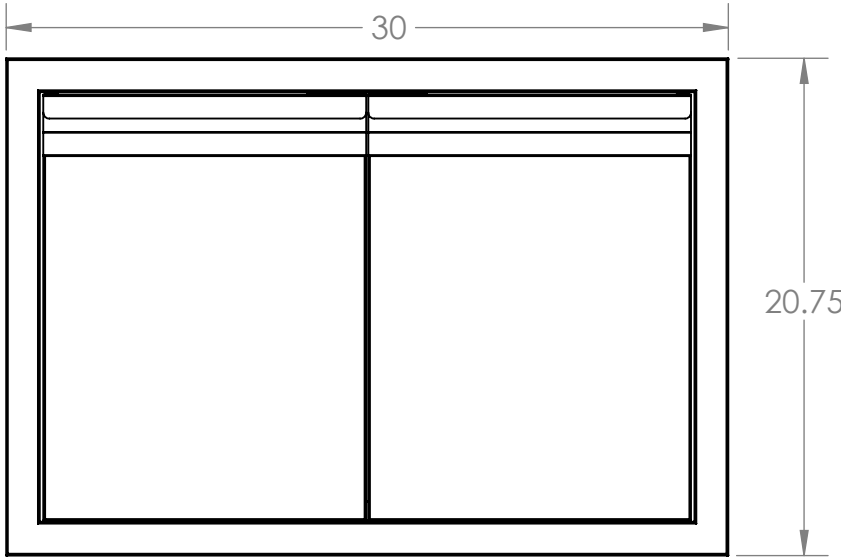
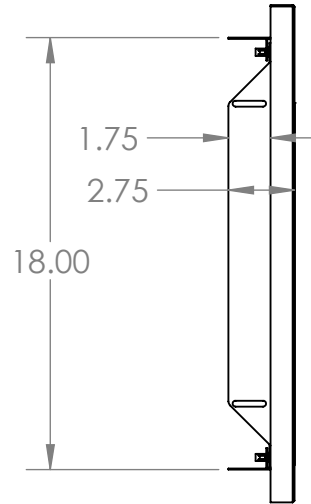


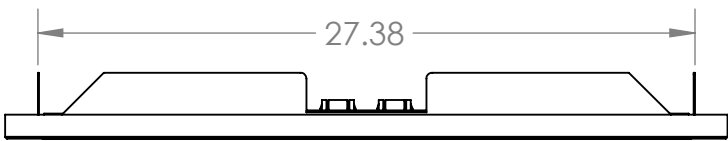
30" DOUBLE DOORS



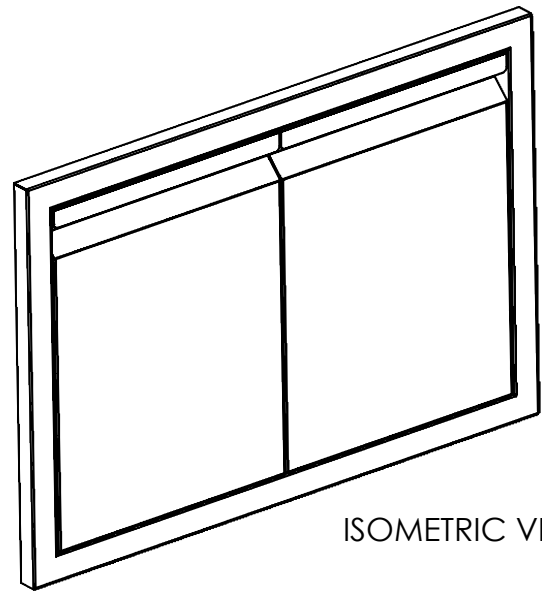
FRONT VIEW



SIDE VIEW



TOP VIEW



ISOMETRIC VIEW

OVERALL PRODUCT DIMENSIONS				CUTOUT DIMENSIONS FOR ISLAND			
PART NUMBER	HEIGHT	WIDTH	DEPTH	PART NUMBER	HEIGHT	WIDTH	DEPTH
VG-30DD	20.75"	30"	2.75"	VG-30DD	18.5"	28"	1.75"

IMPORTANT NOTICE - VIDEL USA

This guide is supplemental and does not replace the Owner's Manual.
Read the manual first to ensure safe installation and operation.